

RENOLIT ALKORPLUS₈₁₁₀₃

Peel stop bar



PRODUCT DATA

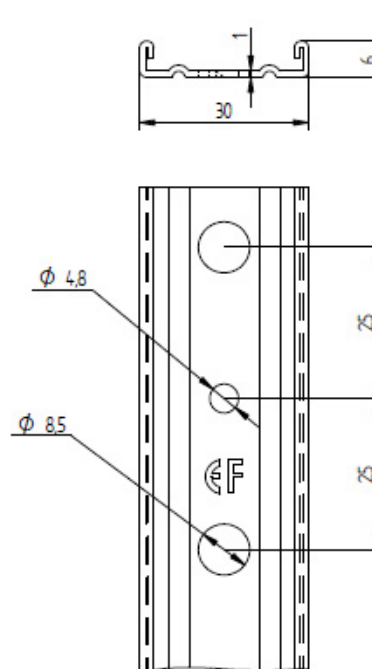
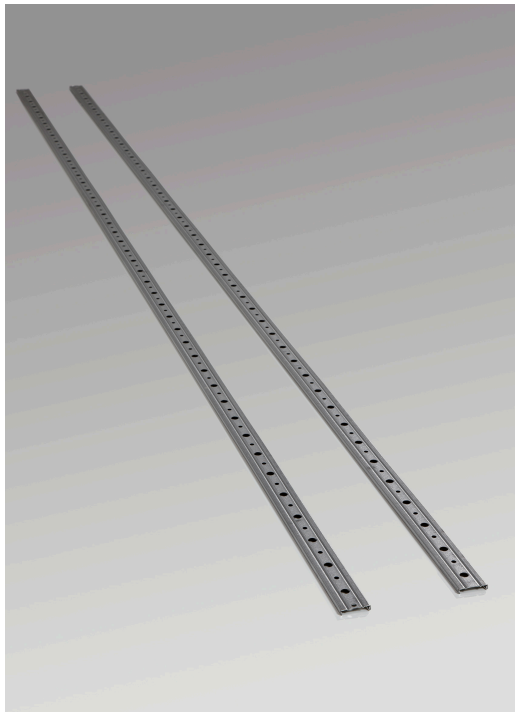
- Folded fastening profile in galvanized steel for mechanical fixation of RENOLIT single ply membranes and perimeter fixations.
- The profile is pre-punched with holes every 25 mm on center to allow various fastener spacing options.

TECHNICAL PROPERTIES

- coating : Aluzinc
- width : 30 mm
- thickness : 1 mm
- height : 6 mm
- mass per unit area : 0,5 kg/m
- corrosion resistance : 15 cycles Kesternich test in accordance with DIN 50018 S2,0L

PACKAGING

	length	diameter	spacing	packing unit
Peel stop bar RENOLIT ALKORPLUS ₈₁₁₀₃₋₀₀₁	2250 mm	4,8 mm / 8 mm (alternating)	25 mm	10 pces



WWW.RENOLIT.COM/ROOFING

RENOLIT Belgium N.V - Export
 Industriepark De Bruwaan 43 - 9700 OUDENAARDE - Belgium
 Tel. B +32 55 33 98 51 Fax +32 55 31 86 58
renolit.belgium@renolit.com



Rely on it.